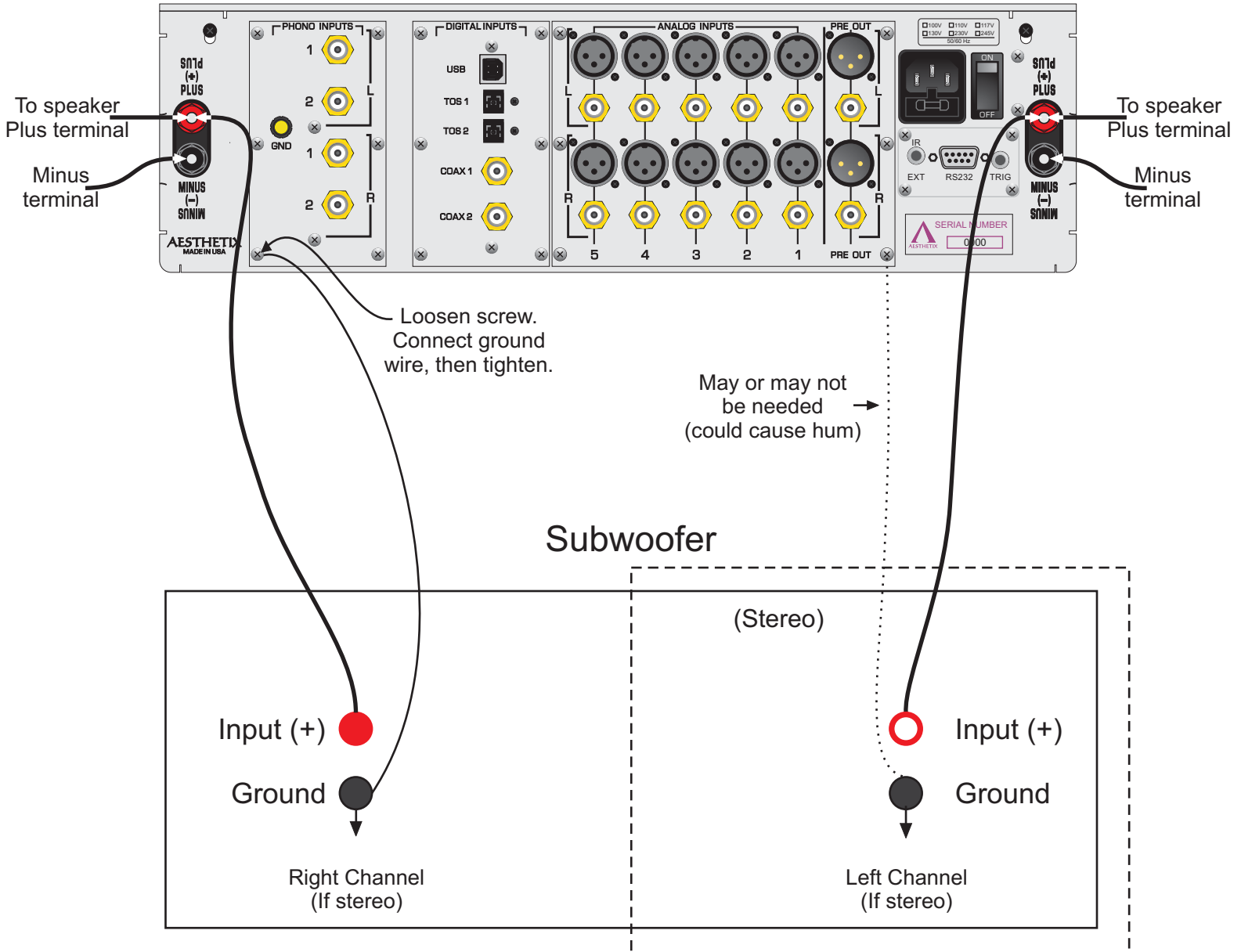




Mimas High Pass Output Connection(s) to a High Level (speaker level) Subwoofer such as a REL



WARNING: Never connect the minus (-) speaker output of a Mimas to Ground. Damage to the Mimas and / or the sub could result.